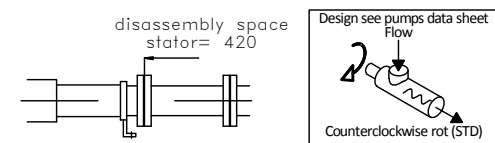
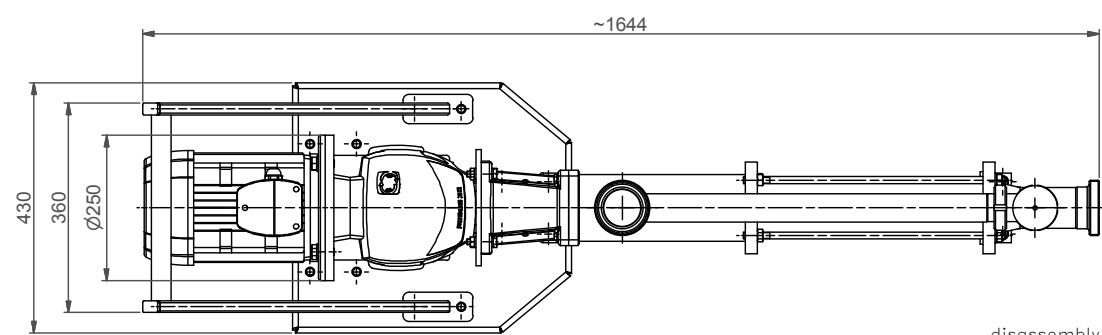
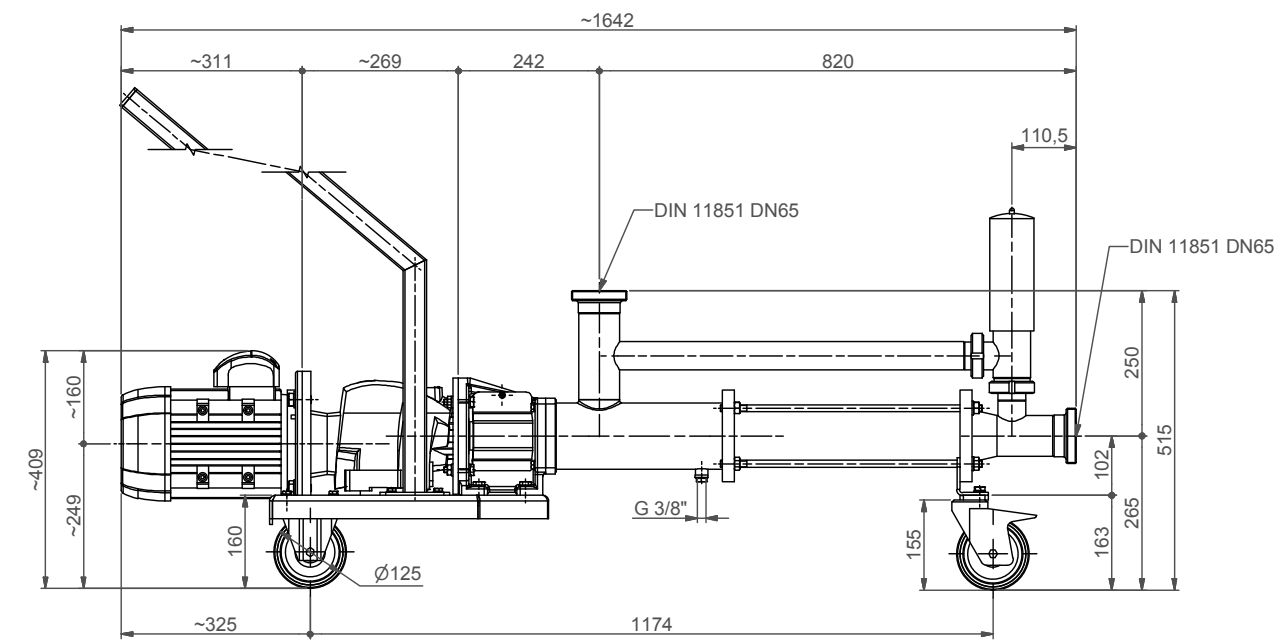
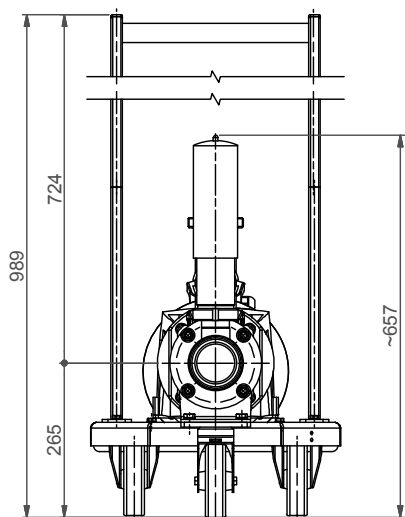


# C.W.M. S.R.L.



Replacement for:	Replacement by:		
TYPE : <b>MD65-1</b>	Drawn:	Scale: 1:13	Weight: 122 kg
Denomination:	Date:		Sheet 1 of 1
Dimensional Drawing	Check: GM		General Tolerances ISO 2768-v Geometrical tolerance and roughness ISO 1302
	Date: 28/12/2013		